

SU2 Cafe & Market Umbrella



- Simple and easy to open and close
- Heavy-duty Double Pulley system
- Commercial grade Pulley Rope
- Glass-filled nylon high-performance Hubs & Brackets
- Marine grade anodized Aluminium Frame & Pole
- Stainless-steel Fastenings and Components
- Commercial strength Pole; 38/48mm diameter, one-piece pole with 2.5-3.0mm wall thickness



ADDED STRENGTH



All SHADOWSPEC SU2 Umbrellas have EIGHT full strength 20x33mm Strut Arms

FABRIC COLOURS



Note - Huge range of custom colours available (surcharge will apply)

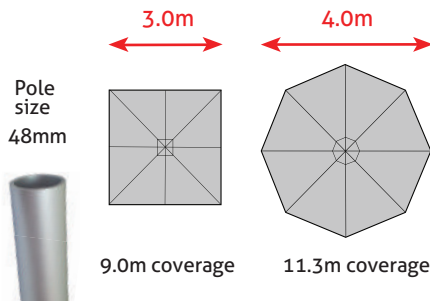
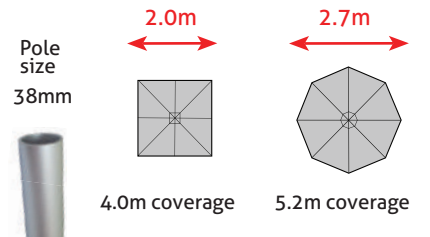
WARRANTY*

TRUSTED FOR OVER 21 YEARS

4 year FRAME warranty

*Conditions Apply

SIZES



PORTABLE BASE OPTIONS

25kg Concrete Base



*Suitable for 2.0m Sqr & 2.7m Oct Sizes only

36kg Steel Flat Base



*Suitable for all sizes

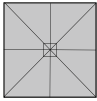
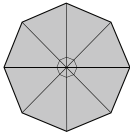
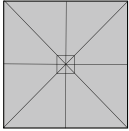
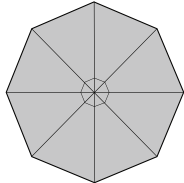
SU2 Cafe & Market Umbrella

DIMENSIONS:



UMBRELLA DIMENSIONS

NOTE: All measurements are rounded and are subject to change.

	2.00m	2.7m	3.00m	4.0m
				
A Canopy Width	2000 x 2000	2700mm dia.	3000 x 3000	4000mm dia.
B Strut Arms Height/ Head Clearance	2200mm	2200mm	2295mm	2260mm
C Overall Height	2600mm	2645mm	2935mm	2850mm
D Height of Closed Strut Arms	1150mm	1250mm	780mm	815mm



WARRANTY*



*Conditions Apply

CUSTOM BRANDING



We specialise in Custom Branding Umbrellas with your Logo/Brand/Message

- Free layouts, mockups and edits
- Fast turnaround on proposals