



Shadowspec
RETREATTM
The Wall Mounted Umbrella



Inspired, Effortless Shade



Fabric
Warranty*



Frame
Warranty*



Trusted for
over 25 years



New Zealand
Innovation



Eco-friendly
Production

SHADOWSPEC RETREAT™ Wall Mounted Umbrella

Patented & Trademarked Technology



Frame
Warranty*

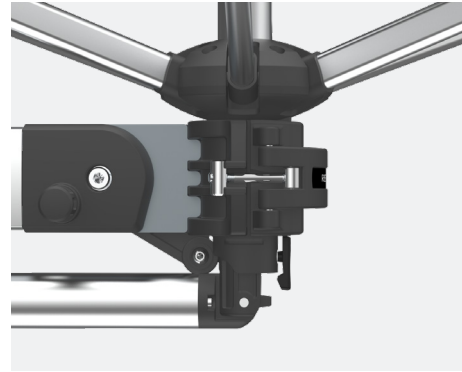
Clever shade for compact spaces.

The Shadowspec Retreat™ is built from sleek, modern materials. We've handpicked the world's best to ensure longevity. Anodised Aluminium and 316 Stainless Steel work in harmony with our in-house design philosophy.



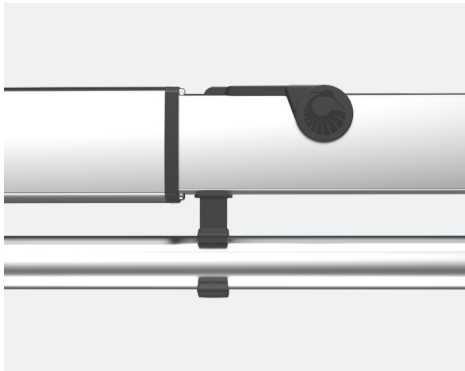
SHADOWLIFT™

Gas-assisted, makes every deployment easy.



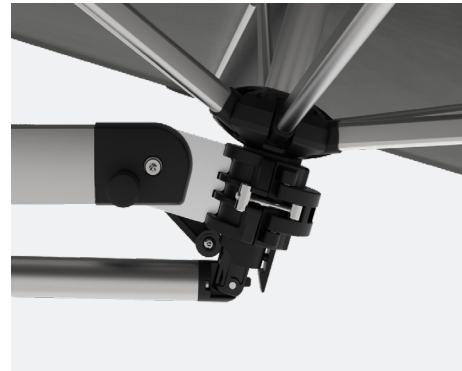
SHADOWROLL™

Integrated roller allows smooth deployment.



SHADOWREACH™

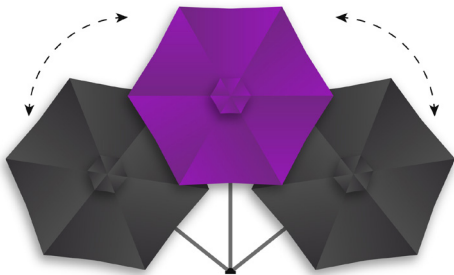
Extend for maximum shade reach.



SHADOWTILT™

Protects from low-angled sun rays.

Follow the sun



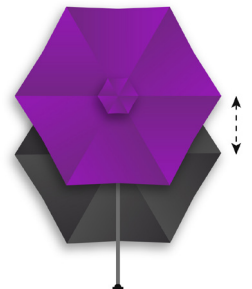
ROTATES

Allows shade for the duration of the day.



TILTS

Two tilt positions to protect when the sun is low.



EXTENDS

Away from the wall.

The Shadowspec Retreat™ is dynamic - view the video to see how it works bit.ly/retreat-intro



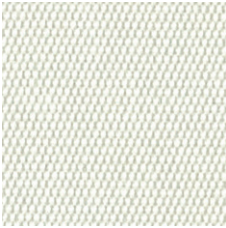
Canopy



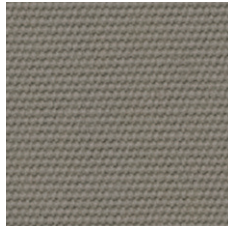
Fabric Warranty*

Designer colours to enhance and inspire your space.

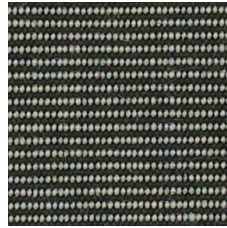
Solution-dyed, fade resistant and UPF 80 rated to provide UV protection year round, backed up by extensive warranties. Available in 5 classy colours: Oyster, Alpine Stone, Charcoal Tweed, Rust and Black & White Stripe.



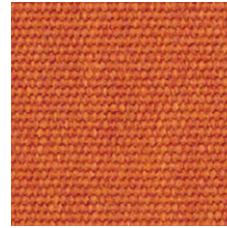
Oyster



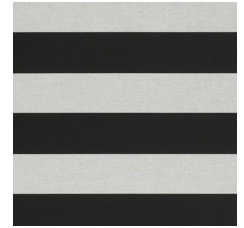
Alpine Stone



Charcoal Tweed



Rust



Black & White Stripe



Oil and Stain Repellent



Mould and Mildew Resistant



Easy Clean



Water Resistant



Chlorine Resistant



Tear Resistant



On-Trend Colours



Solution-dyed, High Colour Fastness



UV and Fade Resistant



UPF 80 UV Protection



Eco-friendly Production



Breathable Weave

Shadowspec Retreat Dimensions

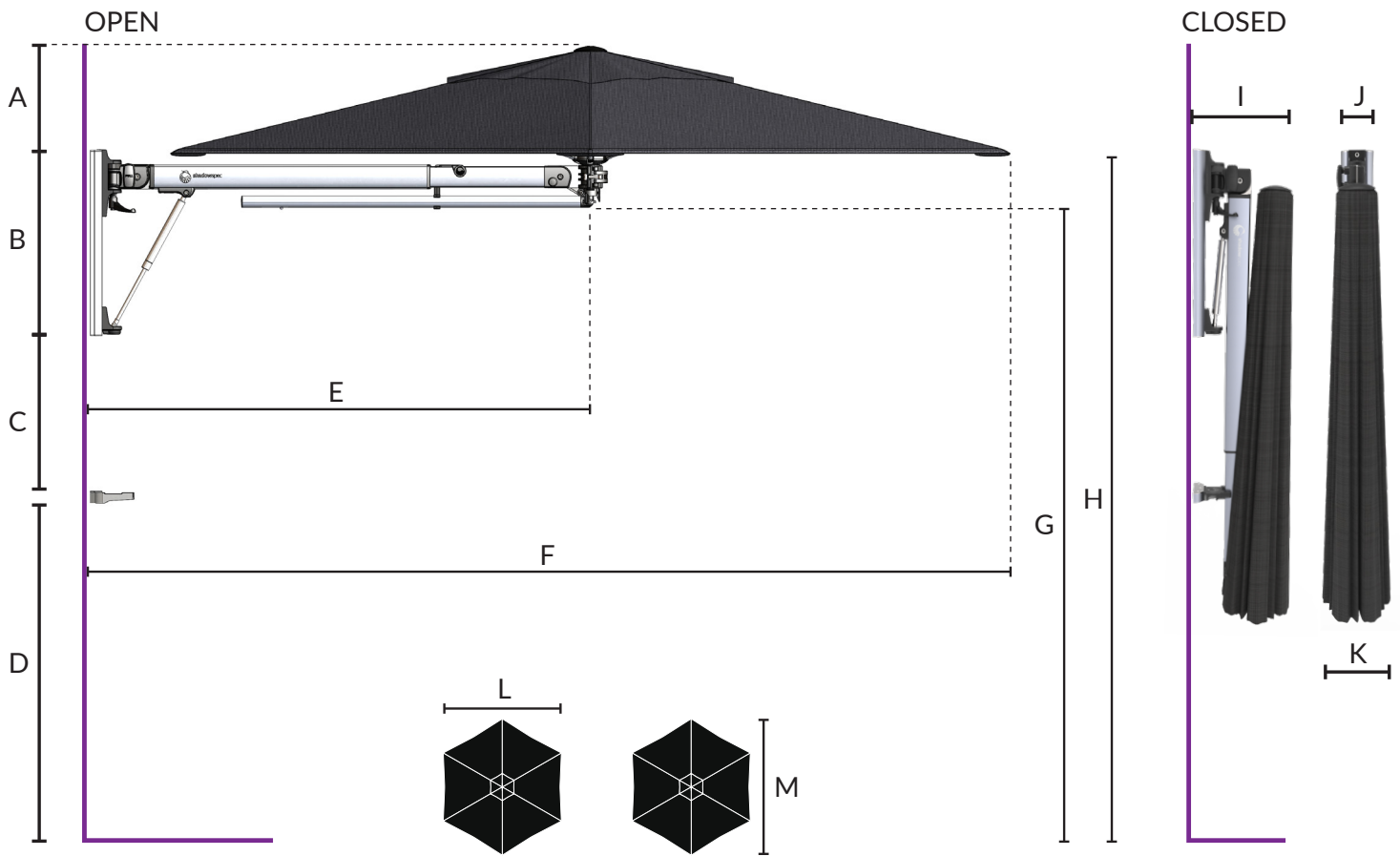


Diagram Legend	2.7m	Full Extension	9'	Full Extension
A Canopy height when deployed	295mm		1'	
B Wall Bracket length	526mm		1'9"	
C Space from Wall Bracket to Wall Clip	441mm		1'4"	
D Gap from Wall Clip to ground (recommended distance)	1209mm		4'	
E Wall to Centre Hub distance (456mm/18" Shadowreach adjustment)	1419mm	1875mm	4'8"	6'2"
F Wall to outer canopy edge (456mm/18" Shadowreach adjustment)	2609mm	3065mm	8'7"	10'0"
G Ground to Centre Hub (recommended distance)	2014mm		6'7"	
H Ground to Canopy Edge (recommended distance)	2166mm		7'1"	
I Closed Umbrella depth	300mm		1'	
J Wall Bracket width	95mm		4"	
K Closed Umbrella width	130-150mm		5-6"	
L Canopy flat-to-flat measurement	2300mm		7'7"	
M Canopy point-to-point measurement	2700mm		8'10'	

Note: Fastenings are not supplied for the Wall Mount Bracket.

All sizings and conversions are +/- 2.5mm / 1/16" and are subject to change without notice. We recommend commercial installations use metric measurement for any umbrella spacing to ensure accuracy. The above dimensions make the assumption that you have installed your umbrella at the recommended installation height on your wall. If you have installed your retreat lower or higher than recommended, you will need to add that difference to the above measurements.

*Warranty conditions apply: 1 year warranty for commercial applications.



**Contact us for
information and advice**

07 3170 6218

vcustomblinds.com.au



shadowspec
umbrellas with distinction